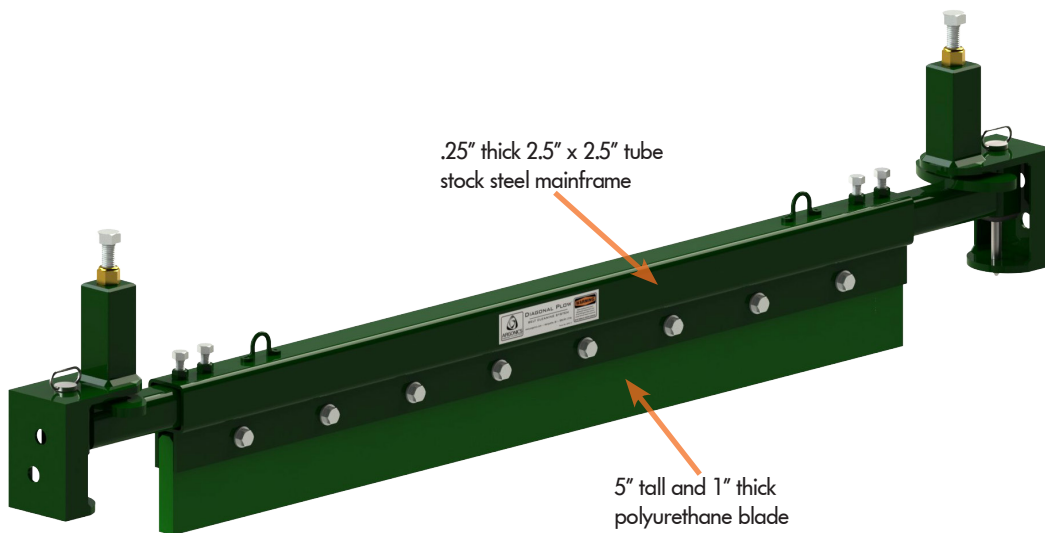


DIAGONAL PLOWS

TERTIARY CONVEYOR BELT CLEANING SYSTEM

The **V-Max X-Plow** diagonal plow may seem simple, but don't be fooled, it works! Thanks to the adjustable down pressure system, this single-minded plow will reduce your down time and increase your bottom line. The V-Max is a mine duty plow, designed to do its job and do it well in the harshest of environments. The V-Max is designed with a .25" (6 mm) thick, 2.5" x 2.5" (63.5 mm x 63.5 mm) tube stock steel mainframe and stub ends for rugged performance and durability.

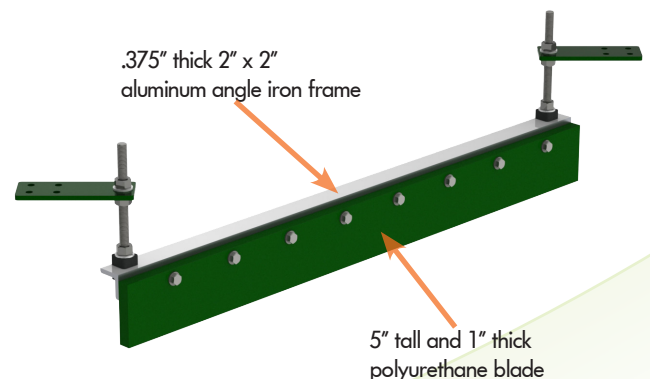
The **Aluminum X-Plow** is best used in a quarry or environment where protection is needed at an affordable price. It is designed to be lightweight yet durable, with a .375" (9.5 mm) thick, 2" x 2" (51 mm x 51 mm) aluminum angle iron frame.



BENEFITS

- Equipped with Kryptane® G83 polyurethane blade
- Rugged mainframe and blade design
- No hoses, cables, shocks or mud-packed components to deal with
- Adjustable chrome-silicon spring tensioners
- Comes standard with safety chains
- Wear travel limit mounting brackets with guide pins
- Weld- or bolt-in installation
- V-Max comes full assembled, ready to install with easy, step-by-step instructions
- Aluminum X-Plow comes disassembled in a box, allowing for reduced shipping costs

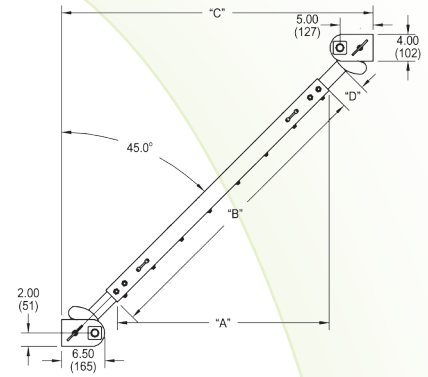
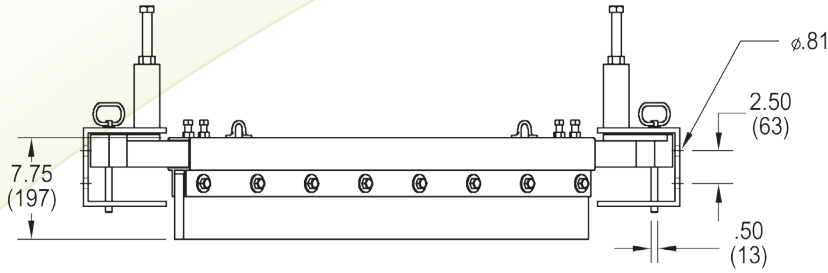
ALUMINUM X-PLOW



ARGONICS
ENGINEERED POLYURETHANE

V-MAX X-PLOW SIZING INFORMATION

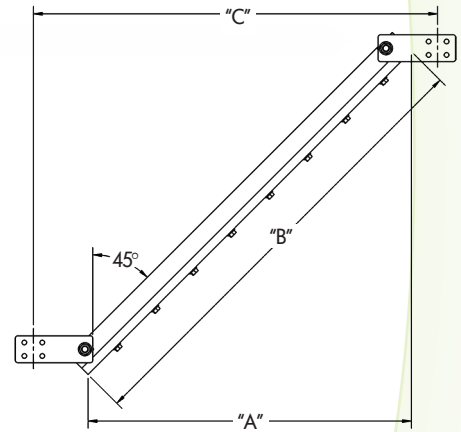
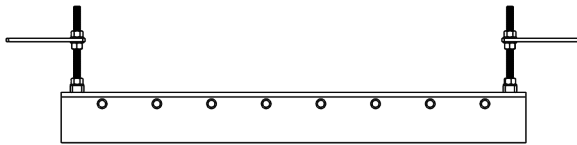
Dimensions - in. (mm)



Part Number	A		B		Min C.		Max C.		Min D.		Max D.		Shipping Weight	
	inches	(mm)	inches	(mm)	inches	(mm)	inches	(mm)	inches	(mm)	inches	(mm)	lbs	(kg)
CP-DPA24-34M-G83	24.00	(610)	34.00	(864)	34.00	(864)	44.00	(1118)	4.25	(108)	11.25	(286)	75.50	(34)
CP-DPA30-43M-G83	30.00	(762)	43.00	(1092)	40.50	(1029)	50.25	(1276)	4.25	(108)	11.25	(286)	83.50	(38)
CP-DPA36-51M-G83	36.00	(914)	51.00	(1295)	46.00	(1168)	56.00	(1422)	4.25	(108)	11.25	(286)	92.00	(42)
CP-DPA42-60M-G83	42.00	(1067)	60.00	(1524)	52.50	(1334)	62.25	(1581)	4.25	(108)	11.25	(286)	100.00	(45)
CP-DPA48-68M-G83	48.00	(1219)	68.00	(1727)	58.00	(1473)	68.00	(1727)	4.25	(108)	11.25	(286)	108.00	(49)
CP-DPA60-85M-G83	60.00	(1524)	85.00	(2159)	70.00	(1778)	80.00	(2032)	4.25	(108)	11.25	(286)	124.00	(56)
CP-DPA72-102M-G83	72.00	(1829)	102.00	(2591)	82.00	(2083)	92.00	(2337)	4.25	(108)	11.25	(286)	140.50	(64)

NOTES:

- Standard sizes shown above. Other sizes are available from 16" (406 mm) to 96" (2438 mm).
- B min. and max. are for the specified mounting angle. Both measurements will change if the mounting angle changes.



Part Number	A		B		Min C.		Shipping Weight	
	inches	(mm)	inches	(mm)	inches	(mm)	lbs	(kg)
CP-DAP-A24-34M-G83	24.00	(610)	34.00	(864)	33.00	(838)	22.50	(10)
CP-DAP-A30-43M-G83	30.00	(762)	43.00	(1092)	39.00	(991)	26.00	(12)
CP-DAP-A36-51M-G83	36.00	(914)	51.00	(1295)	45.00	(1143)	29.00	(13)
CP-DAP-A42-60M-G83	42.00	(1067)	60.00	(1524)	51.00	(1295)	32.00	(15)
CP-DAP-A48-68M-G83	48.00	(1219)	68.00	(1727)	57.00	(1448)	35.50	(16)
CP-DAP-A60-85M-G83	60.00	(1524)	85.00	(2159)	70.00	(1778)	42.00	(19)
CP-DAP-A72-102M-G83	72.00	(1829)	102.00	(2591)	82.00	(2083)	48.00	(22)

NOTES:

- Standard sizes shown above. Other sizes are available from 16" (406 mm) to 96" (2438 mm).
- B min. and max. are for the specified mounting angle. Both measurements will change if the mounting angle changes.

